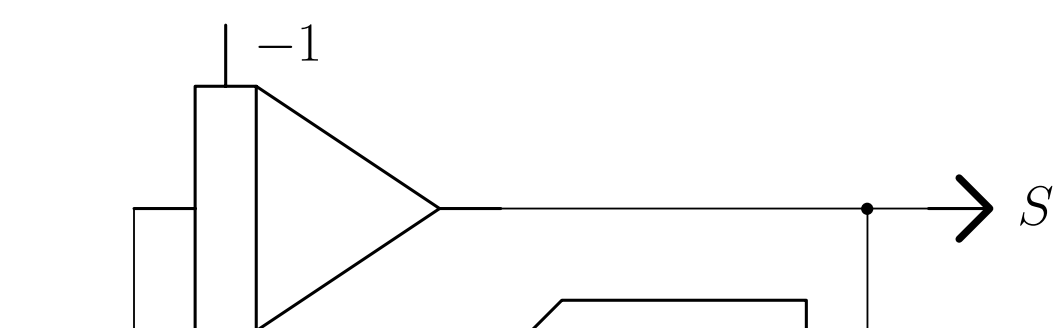
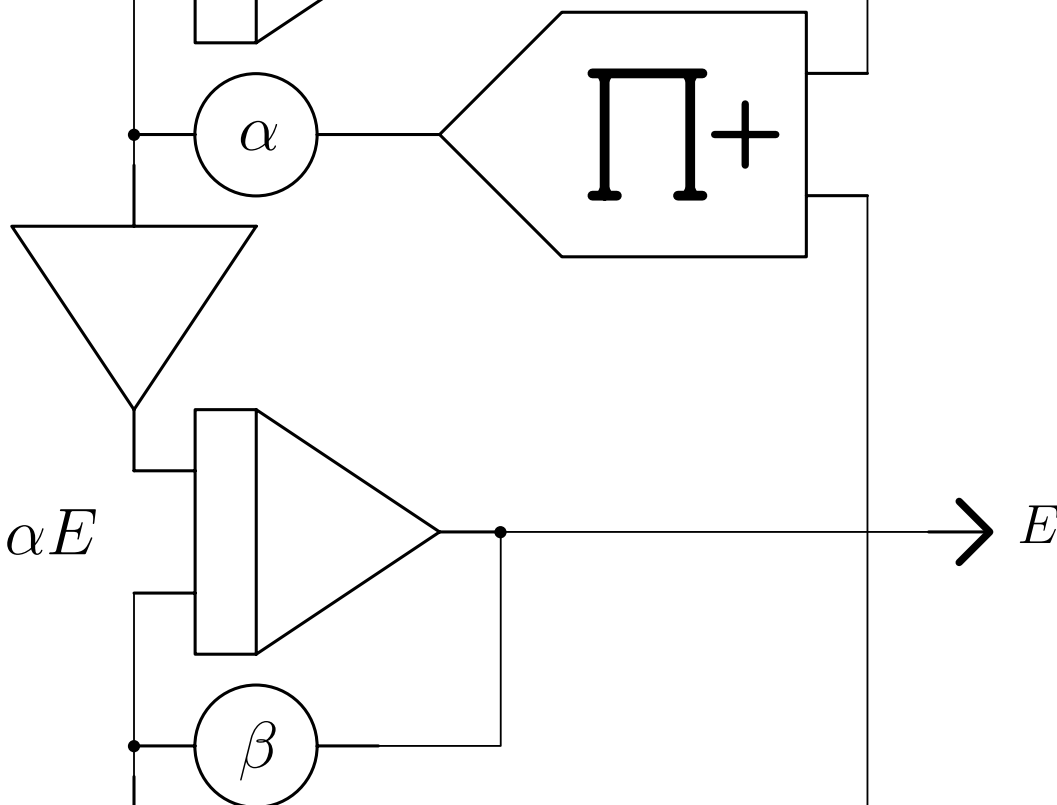


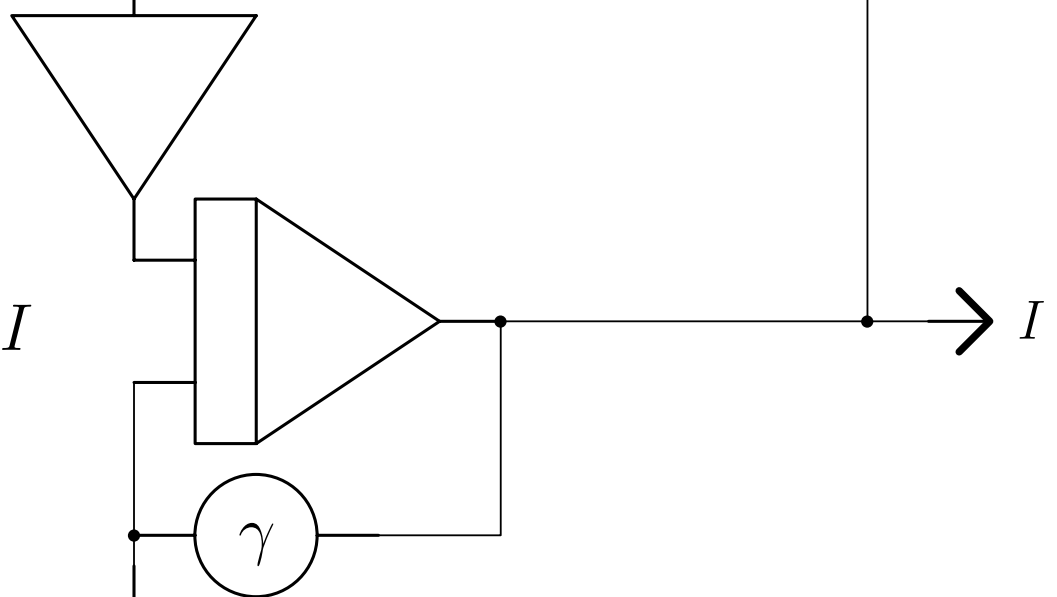
$$\dot{S} = -\beta SI$$



$$\dot{E} = \beta SI - \alpha E$$



$$\dot{I} = \alpha E - \gamma I$$



$$\dot{R} = \gamma I$$

